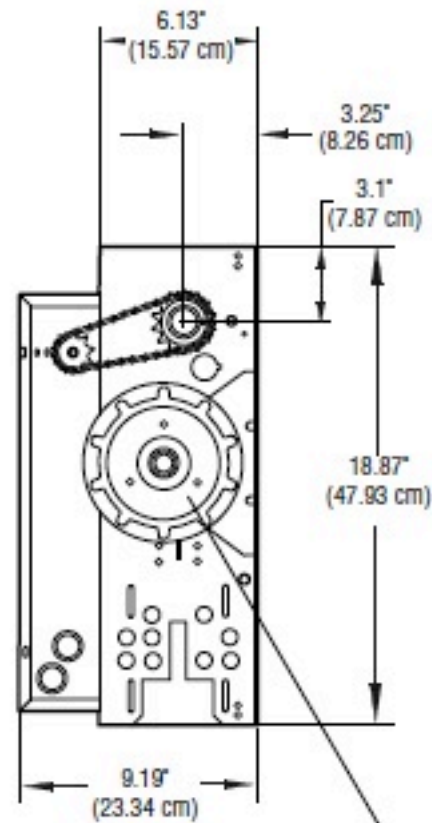
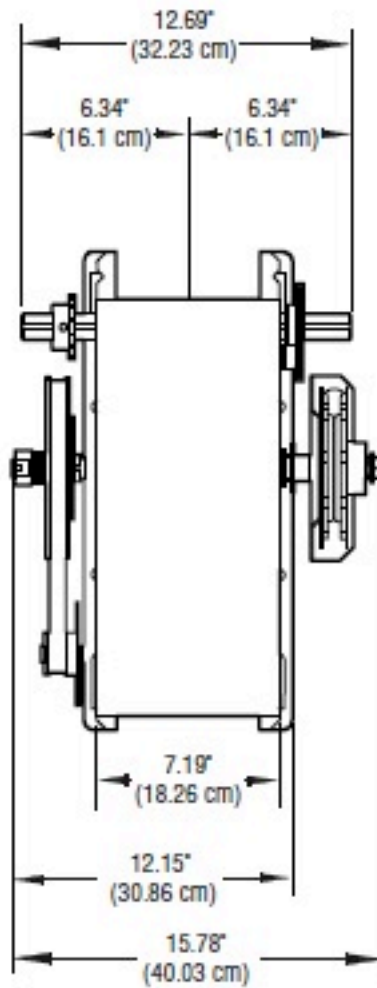


# OPERATOR SPECIFICATIONS

## WEIGHTS AND DIMENSIONS

### MODELS MH, MJ, AND MHS

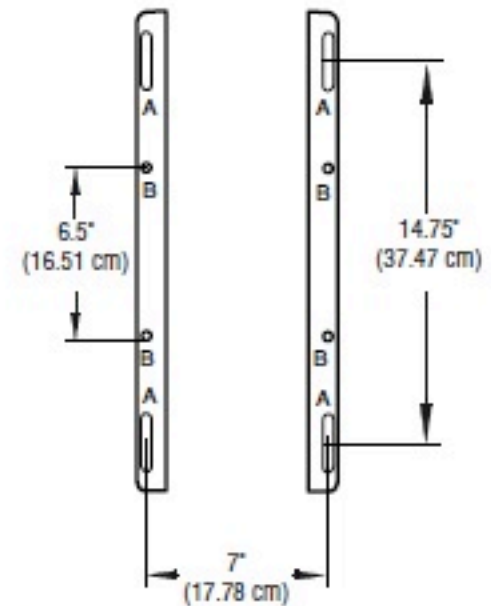
Hanging Weight: 60-70 LBS. (27.22-31.75 kg)



Hand Chain Wheel present with Model MH only.

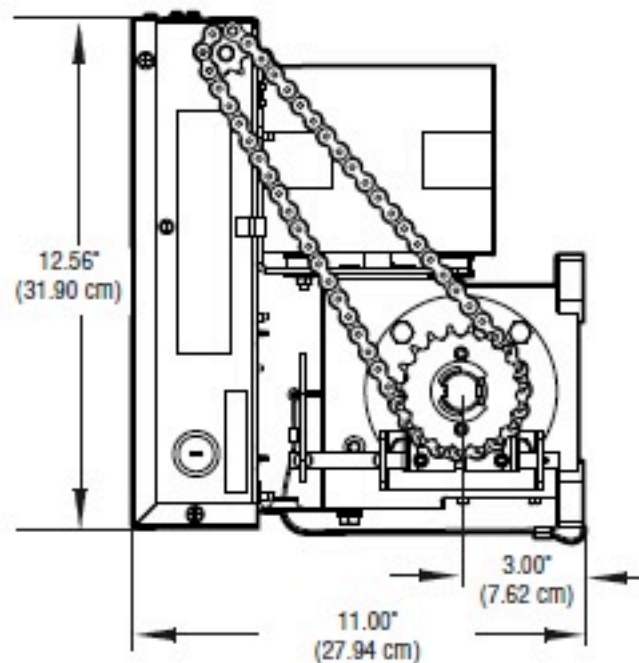
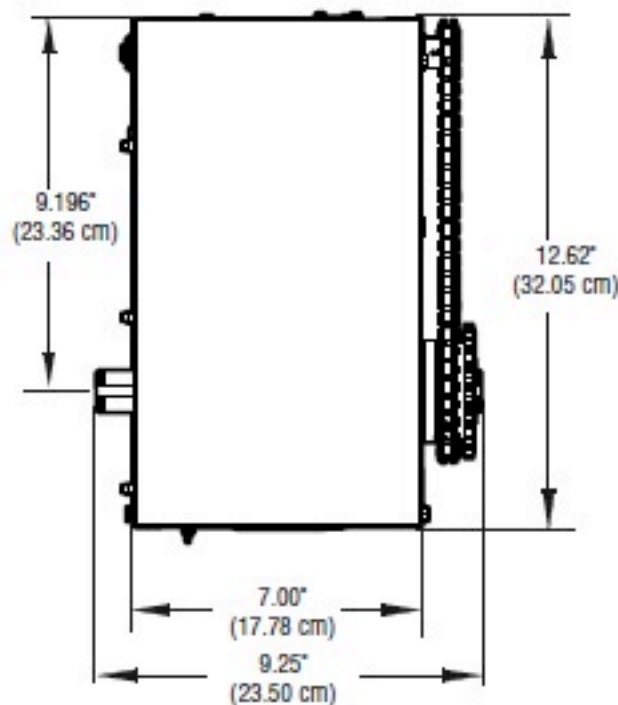
### MOUNTING DIMENSIONS

A - Wall Mounting  
B - Bracket Mounting (rolling door)

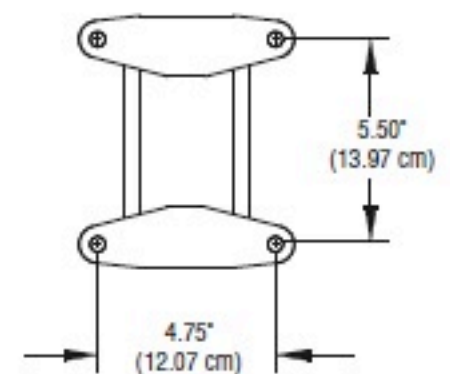


### MODEL MGJ ONLY

Hanging Weight: 60 LBS. (27.22 kg)



### MOUNTING DIMENSIONS



# OPERATOR SPECIFICATIONS

---

## MOTOR

**TYPE:** ..... Limited duty  
**HORSEPOWER:** ..... 1/2 HP  
**VOLTAGE:** ..... 115 Vac, Single Phase, 60 Hz  
**FULL LOAD AMPS:** ..... 6.0 Amps

## MECHANICAL

**DOOR SPEED:** ..... Approximately 9" (23 cm) / second  
depending on door setup  
**OUTPUT FORCE:** ..... 125 ft. lbs / sec.  
MGJ ONLY ..... 40 ft. lbs / sec.  
**OUTPUT RPM:**  
MJ ..... 80 RPM  
MH ..... 80 RPM  
MHS ..... 38.6 RPM  
MGJ ..... 23 RPM  
**LIMIT ADJUST:** ..... Fully adjustable up to 14' door Max  
**DUTY:** ..... 12 Cycles per Hour Max  
50 Cycles per Day Max  
**DRIVE TRAIN:** ..... Maintenance Free Bearings  
MGJ ONLY ..... Maintenance Free Bearings  
Wormgear-in-Oil-Bath Reducer  
**FINISH:** ..... Powder coated, Corrosion Resistant Steel

## ELECTRICAL

**OPERATOR VOLTAGE:** ..... 115 Vac, Single Phase, 60 Hz  
**WIRING TYPE:** ..... C2 (Standard) B2 Configurable  
(See Basic Programming Section)  
**CONTROL WIRING:** ..... 16-22 AWG

## SAFETY

### DISCONNECT:

MH ..... Floor level chain hoist for  
manual chain hoist operation.  
MJ ..... Floor level disconnect for  
manual operation.  
MHS .... Both MH and MJ type disconnects described above.  
MGJ ..... Floor level disconnect for  
manual operation.

### ENTRAPMENT PROTECTION:

#### LiftMaster Monitored Entrapment Protection (LMEP)

Photoelectric Sensors (CPS-U): ..... Through beam  
used to provide non-contact safety protection.  
Safety Edge (Optional): ..... Electric or pneumatic sensing  
device attached to the bottom edge of door.  
(see Accessory Page 27)

## ENVIRONMENTAL

**LOCATION:** ..... Indoor, dry location  
**OPERATING TEMPERATURE:** ..... -4° F to + 122° F  
(-20° C to + 50° C)  
UL Listed to 40° C: Chamberlain tested to 50° C